

## JV-F- CAN ( PATENT PENDING )

**JV-F-Can** is a sheet metal fire stopped deck sleeve that is rated for three hours. This sleeve is a complete cast in place unit, with a one step application. Once the concrete has set, pop the lid out, and it is ready for pipe placement.

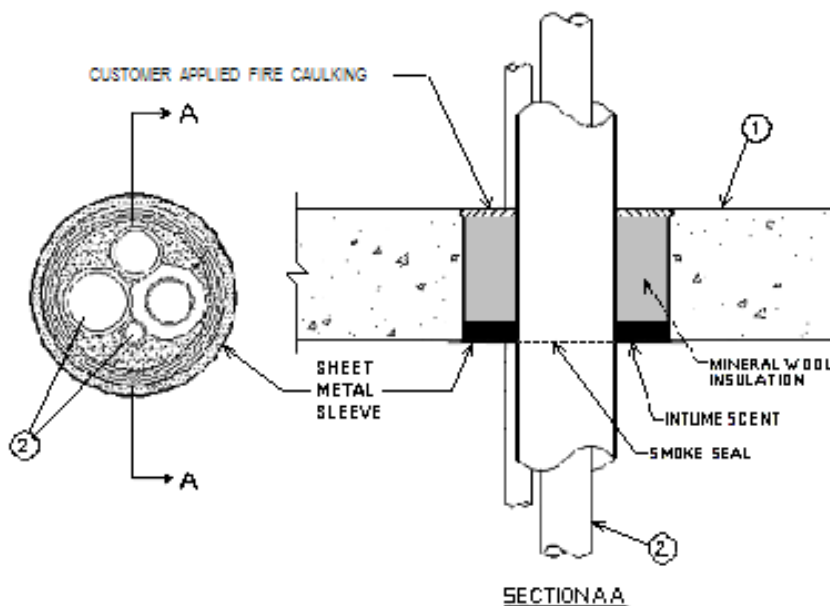
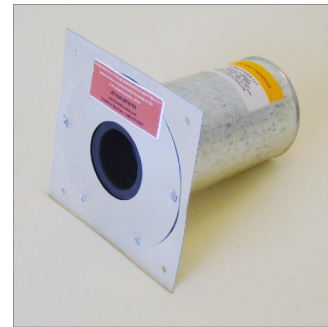
These cans are made from 26 gauge sheet metal, with intumescent at the bottom. The interior has mineral wool insulation to suit the size of pipe. The neoprene gasket is secured at the bottom for a tight smoke seal.

These sleeves are installed using, (nails, screws, or staples) to the decking before the concrete is poured.

The JV-F Cans are made for 1 1/2" - 2" - 3" - 4", pipe sizes. The length of each can is customized to your specifications. For larger pipe diameters please call for availability.

**UL/ULC SYSTEMS No. F-A-8019**

**PATENT PENDING**



**UL/ULC SYSTEMS No. F-A-8019**