

JV-PIPE HANGERS (PATENT # 5,957,644)

JV-Pipe Hangers are used on the form before pouring the concrete slabs. They are nailed or screwed to the deck and facilitate a clean strong structure to suspend , plumbing, electrical pipes, and any mechanical devices. Once the concrete is cured and the form is removed, the red protective tab is pulled out and is ready to screw in the all thread rod.

JV-PP (Poured in Place) Pipe Hanger

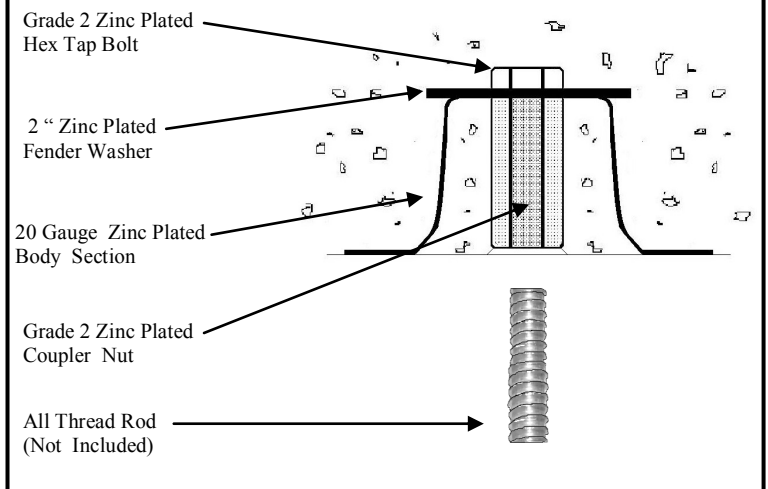
Designed to suspend pipes ranging from 2" to 12", with a load capacity of a 1500-7900 lbs. (**UL Listed # 9P97, NFPA 13**) 1500 Lbs, for sizes, 3/8", 4500 Lbs, for 1/2" and 7900 Lbs. for 5/8".

JV-QD Pipe Hanger

Designed to suspend pipes ranging from 2" to 12", with a load capacity of 1500-7900 lbs. (**UL Listed # 9P97, NFPA 13**) 3/8"- 1500 Lbs, 1/2"-4500 Lbs, and 5/8"-7900 Lbs.

JV-QD-B Pipe Hanger

This pipe hanger differs from the others because a Grade 2 Zinc plated hex tap bolt is used instead of a coupling nut. Designed to suspend pipes ranging from 2" to 12", with a load capacity of 1500 - 7900 lbs. (**UL Listed # 9P97, NFPA 13**) 1500 Lbs, for 3/8", 4500 Lbs, for 1/2" and 7900 Lbs. for 5/8".



NOTE: Regular sizes: 1/4", 3/8", 1/2", 100 per box. All 5/8" sizes, 50 per box.