

JV-INDUSTRIES, LLC.

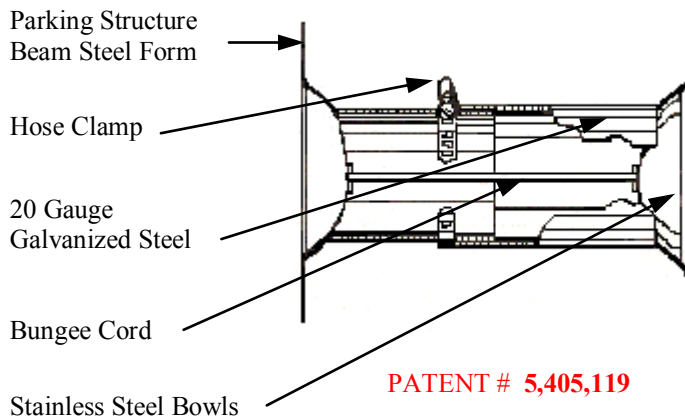
JV- ADJUSTABLE PARKING GARAGE BEAM SLEEVE

Our Patented " **Beam Sleeve**" is used in the construction of concrete beams for parking structures. The floating ends of the beam sleeve taper to allow for a snug fit into the steel form without having to secure it to the form itself. This gives the sleeve it's adjustability to various degrees in the taper of the forms. They may also adjust in length +/- 1 inch The pre-finished openings of the passage will easily accommodate pipe of various sizes (depending on the diameter of the sleeve itself).

PATENTED



The sleeve should be set at a slightly higher elevation than the desired center line, and should be adjusted then pushed down into place before securing to the re-bar. No finishing of the opening is required. A set dimension is required when ordering.



Beam Sleeve Sizes		
Diameter	Gauge	Lengths
4"	20	Custom Size
5"	20	Custom Size
6"	20	Custom Size
7"	20	Custom Size
8"	20	Custom Size
10"	20	Custom Size
12"	20	Custom Size