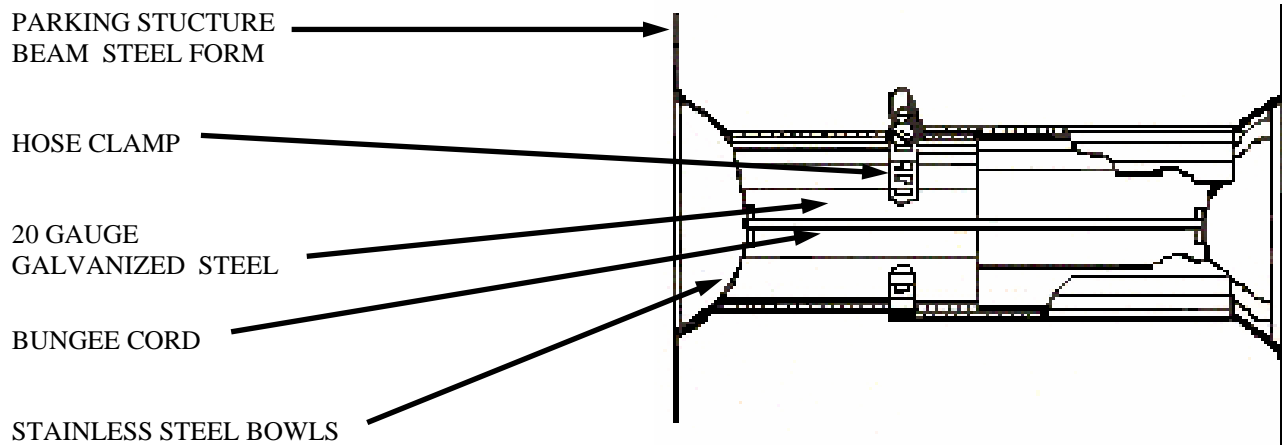


JV-INDUSTRIES, LLC

JV-TBS/ AJUSTABLE BEAM SLEEVE

JV-TBS/ AJUSTABLE BEAM SLEEVE

The patented “ Adjustable Beam Sleeve” is used in the construction of concrete beams for parking structures. The floating ends of the beam sleeve tapers to allow for a snug fit in the steel form without having to secure it to the form itself. The pre-finished opening of the passage easily accommodates pipes of various sizes (depending on the diameter or the beam sleeve). The beam sleeve also adjusts to different lengths to fit the assorted thickness of the support beam.



PATENT # 5,405,119

Adjustable Beam Sleeve Sizes		
Diameter	Gauge	Adjustable Lengths
4"	20	Custom Size
5"	20	Custom Size
6"	20	Custom Size
7"	20	Custom Size
8"	20	Custom Size
10"	20	Custom Size
12"	20	Custom Size